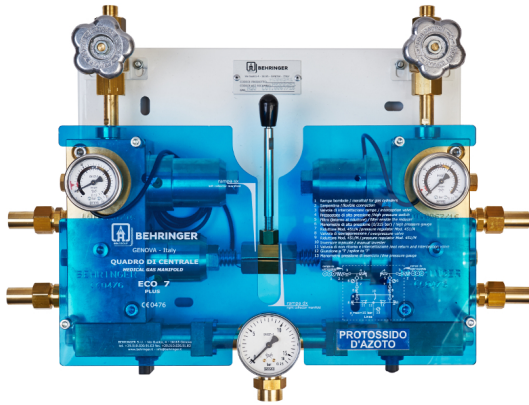


Medical gas devices



ECO/7 PLUS Semiautomatic control module

Product description

Control module for medical gases, with automatic switching and manual reset using the central lever to restore priority of use of the source. If one of the two sources is discharged, the system is fed automatically from the other source. The module consists of two 2-stage regulator lines; each line has a High Pressure 451 regulator and a Low Pressure 451 regulator, both of which are made of CW614N brass. As well as the two regulators, each line also has a High Pressure gauge, a High Pressure shut-off valve, two overpressure discharge valves integrated into the pressure regulators that can be connected with a Ø 16 mm

weld-on pipe connector, and a Low Pressure shut-off valve for servicing. Low Pressure gauge on the outlet to measure line pressure. The inlet connection is specific for the gas used, the outlet is fitted with a Ø 22 mm weld-on pipe connector. Its maximum nitrogen capacity at 9 bar outlet pressure is 90 Nm³/h, 1500 NI/min. The two pressure regulator High Pressure gauges have electrical contacts, are pre-calibrated with a 15 bar alarm threshold and can be connected to an alarm control unit to signal manifold empty. The control module is protected against atmospheric agents by PLEXIGLAS. For easy wall mounting, all components are installed on a powder-coated metal plate.

Normatives

UNI EN ISO 10524-2:2006 | UNI EN ISO 9001:2008 | UNI CEI EN ISO 14971:2012 | UNI CEI EN ISO 13485:2004 | UNI EN ISO 15001:2012

Components

- N. Two 451 High Pressure regulators made of CW614N brass and stainless steel pressure adjustment set screw.
- N. Two 451 Low Pressure regulators made of CW614N brass and stainless steel pressure adjustment set screw.
- N. Four overpressure discharge valves, integrated into the pressure regulators, made of CW614N brass.
- N. Two gas-specific inlets.
- N. One outlet with Ø22 mm weld-on pipe connector.
- N. Two CW614 brass High Pressure shut-off valves.
- N. Two Low Pressure shut-off valves for servicing.
- N. Two CW614N brass check valves.
- N. Two pressure gauges on the High Pressure regulator with electrical contacts, range 0-315 bar, class 2.5.
- N. One Low Pressure gauge, range 0-16 bar, class 2.5.
- N. Two sintered bronze inlet filters (filtration grade < 100 µm).
- Stainless steel springs.
- VITON O-Ring for O₂, NBR O-ring for other gases.
- NYLON seal seat for O₂, TEFLON seal seat for other gases.
- VITON O-Ring for O₂, NBR O-ring for other gases.

Nylon gaskets.
 PLEXIGLAS cover.
 Powder-coated metal fixing plate.

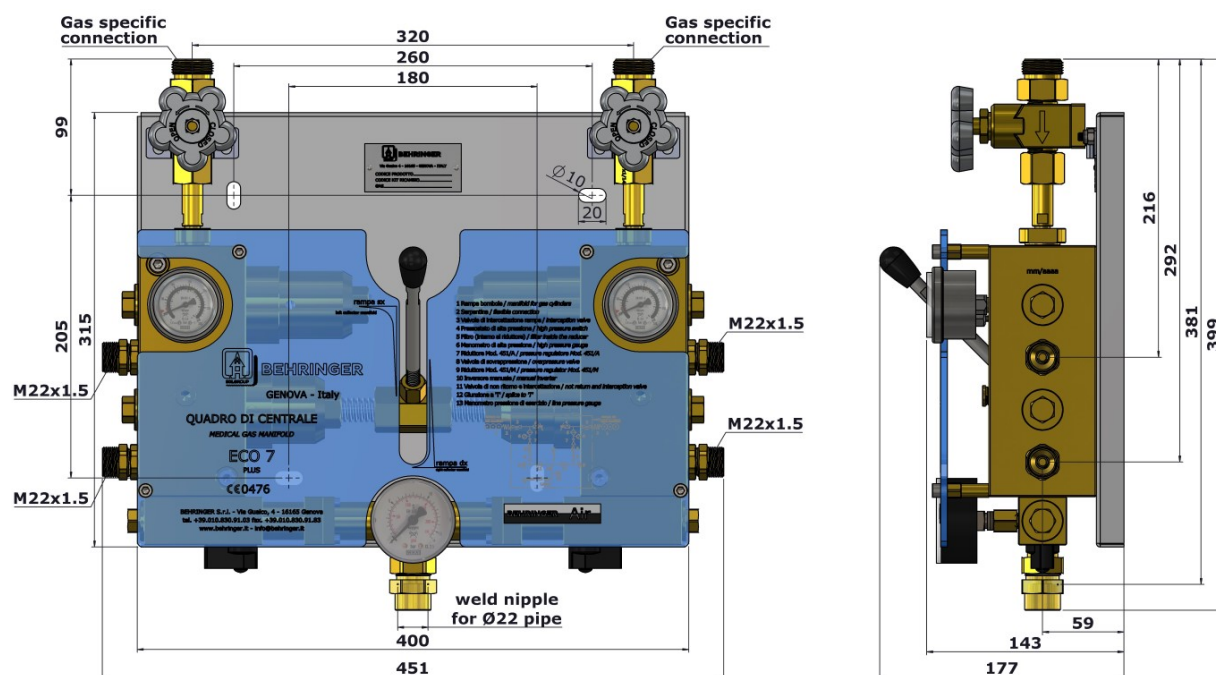
Product codes

GAS	CODE	CATALOGUE NO.
OXYGEN	HQ060R1	25538/R
AIR	HQ061R1	25538/R
NITROUS OXIDE	HQ062R1	25538/R
CARBON DIOXIDE	HQ063R1	25538/R
NITROGEN	HQ064R1	25538/R

Technical data

CODE	Q max.	P ₁ max.	P ₂	CONNECTION INLET	CONNECTION OUTLET	WEIGHT
HQ060R1	90 Nm ³ /h	200 bar	9 bar	W21,7x1/14" 'A'	Ø 22 mm weld-on pipe	30,0 kg
HQ061R1	90 Nm ³ /h	200 bar	9 bar	W30x1/14" 'A'	Ø 22 mm weld-on pipe	30,0 kg
HQ062R1	90 Nm ³ /h	200 bar	9 bar	G3/8" 'A'	Ø 22 mm weld-on pipe	30,0 kg
HQ063R1	90 Nm ³ /h	200 bar	9 bar	W27x2 'A'	Ø 22 mm weld-on pipe	30,0 kg
HQ064R1	90 Nm ³ /h	200 bar	9 bar	W21,7x1/14" 'B'	Ø 22 mm weld-on pipe	30,0 kg

Technical Images



Behringer S.r.l. via Gualco 4, 16165 Genova ITALY

T +39 010 8309103

F +39 010 8309183

e-mail info@behringer.it

C.F. e P.I. 01167840998

